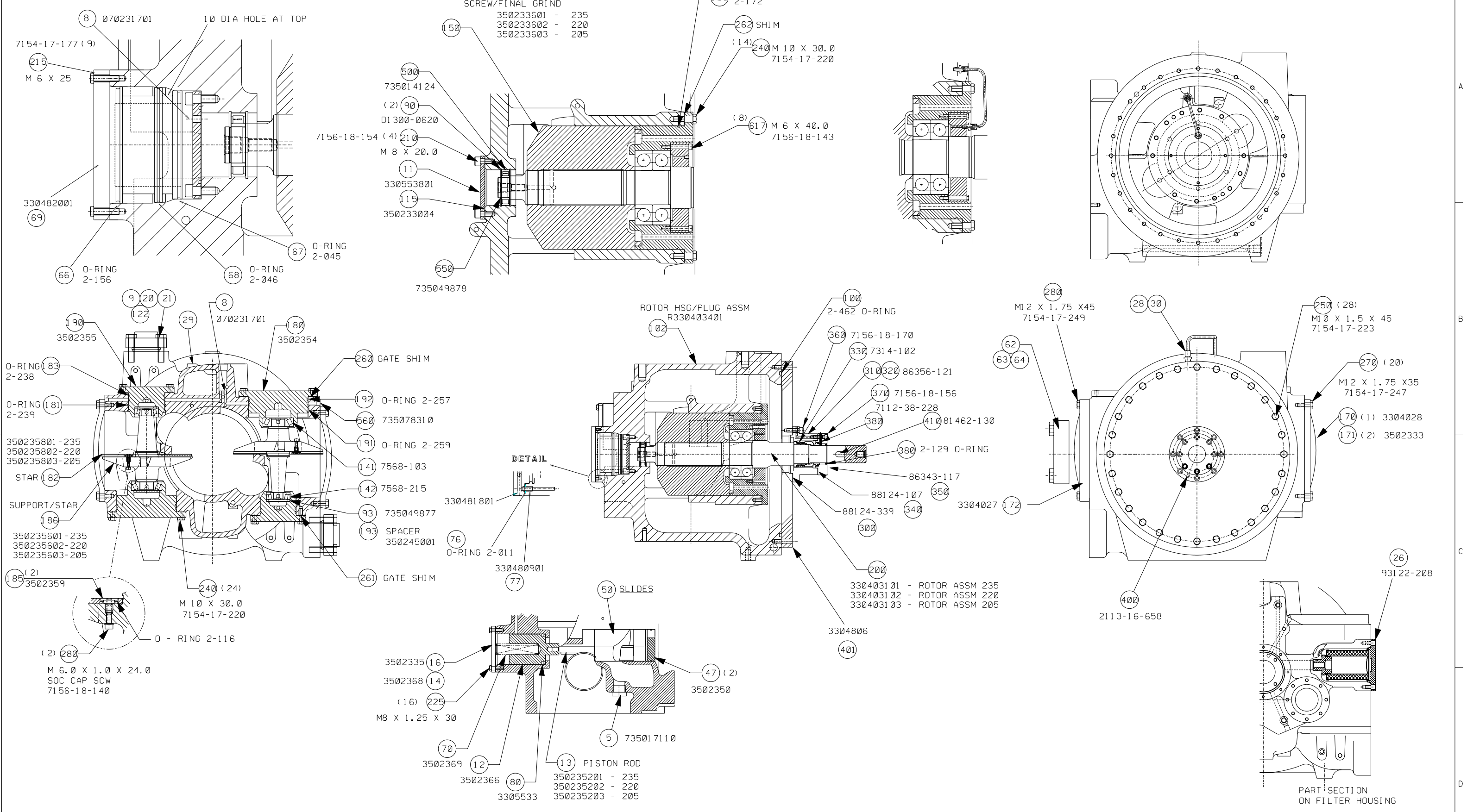


| PART NUMBER | REV. | PART DESCRIPTION       | RAW MAT'L DESCRIPTION | RAW MAT'L PART NO. |
|-------------|------|------------------------|-----------------------|--------------------|
| 330404001   | 0A   | ASSM/FR4 COMP (FILTER) |                       |                    |



| DOC | M.E. | ENG | DRN | DATE     | ECO | DESIGN SOURCE                | CADD DRAWING ATTACHED TO | DOC | M.E. | ENG | DRN | DATE | ECO | REVISION CHANGE HISTORY | REV. |
|-----|------|-----|-----|----------|-----|------------------------------|--------------------------|-----|------|-----|-----|------|-----|-------------------------|------|
|     | JMR  | AAE |     | 18-02-02 |     | 3304025                      |                          |     |      |     |     |      |     |                         |      |
|     |      | AAE |     | 09-01-03 |     | GENERAL UPDATE TO *AS BUILT* |                          |     |      |     |     |      |     |                         | 0A   |

THE CONTENTS OF THIS MATERIAL ARE CONFIDENTIAL AND PROPRIETARY TO AAF-McQuay Inc. ANY UNAUTHORIZED USE, REPRODUCTION, DISCLOSURE OR TRANSFER IS STRICTLY PROHIBITED. IF FURNISHED WITH A PROPOSAL, RECIPIENT MAY USE THIS MATERIAL SOLELY TO EVALUATE SUCH PROPOSAL. IF FURNISHED TO AN EXISTING OR POTENTIAL VENDOR, THIS MATERIAL MAY BE USED SOLELY IN PREPARATION OF PROPOSAL OR PERFORMANCE OF WORK FOR AAF-McQuay Inc.  
 © AAF-McQuay Inc. 1999. All rights reserved.

|   |            |   |                        |                                   |  |
|---|------------|---|------------------------|-----------------------------------|--|
| DIMENSIONING AND TOLERANCING CONFORMS TO ASME Y14.5M-1994 |            | TOLERANCE DATA UNLESS OTHERWISE SPECIFIED |                        | ALL DIMENSIONS ARE IN MILLIMETERS |  |
| X. = .  | ANGLES = ° | SCALE                                     | THIRD ANGLE PROJECTION |                                   |  |
| X.X = 0.  |            | NONE                                      |                        |                                   |  |
| X.XX = 0.   |            |   |                        |                                   |  |
| FINISH: 13.2 MICROINCH ON MACHINED SURFACES               |            | 3304040 D 0A                              |                        | 1 OF 2 SHEET                      |  |
|   |            | DRAWING NUMBER                            |                        | REV.                              |  |