

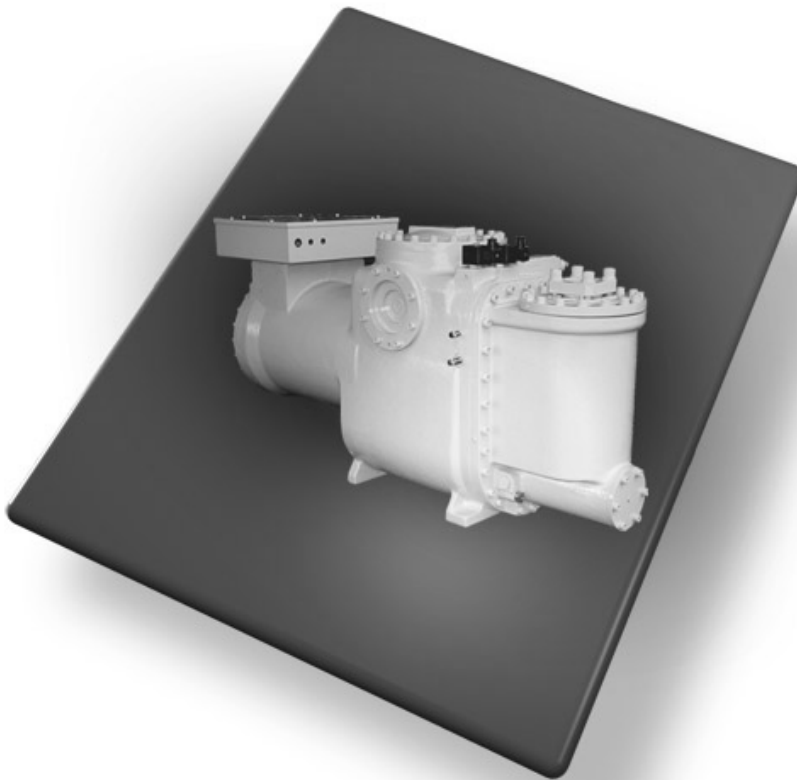


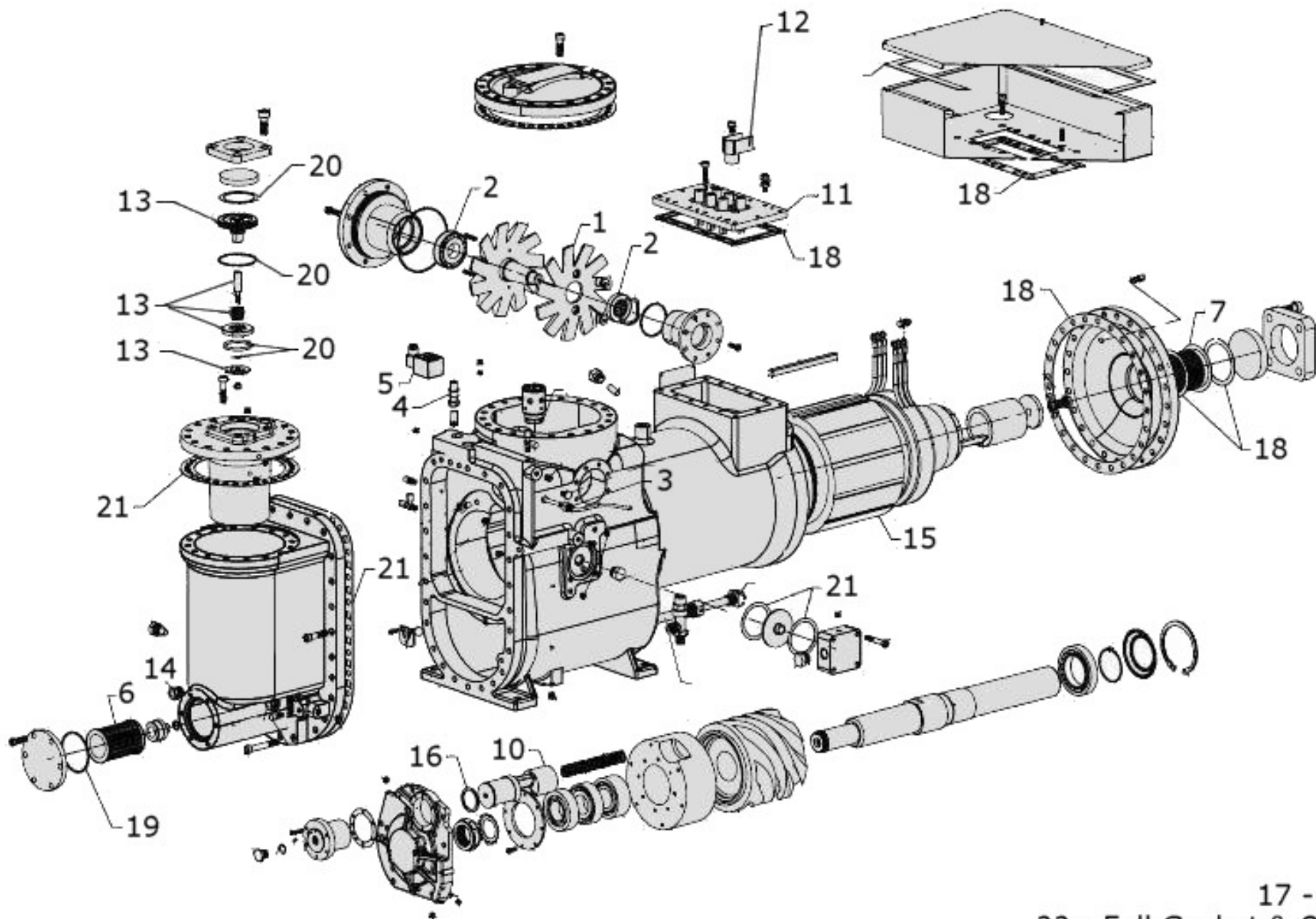
HallScrew Replacement Parts List

HS 3100

Semi hermetic single screw compressor

July 2006





17 - Shim Set
 22 - Full Gasket & O-Ring Set

HS3100 Spare Parts List Semi-Hermetic Compressor

Quantity for Each Compressor

Item	Diagram	Description	Part Number	Old P/No	3118	3120	3121	3122
Stars								
1	1	Hallplas Star Kit (also require items 17 & 22)	N02280022	95813-106	1			
1	1	Hallplas Star Kit (also require items 17 & 22)	N02280023	95813-206		1		
1	1	Hallplas Star Kit (also require items 17 & 22)	N02280024	95813-306			1	
1	1	Hallplas Star Kit (also require items 17 & 22)	N02280025	95813-406				1
Bearings								
2	1	Star Bearing Kit (also require items 17 & 22)	N02050124	95813-203	1	1	1	1
Thermostats								
3	1	Discharge Thermostat 100oC	N05060031	95814-502	1	1	1	1
Solenoid Valves								
4 & 5	1	Capacity Control Solenoid Valve Kit 115V (Sporlan) (kit includes 2 valves & 2 coils)	N30010041	95823-417	1	1	1	1
4 & 5	1	Capacity Control Solenoid Valve Kit 230V (Sporlan) (kit includes 2 valves & 2 coils)	N30010042	95823-418	1	1	1	1
5	1	Capacity Control Solenoid Valve Coil 115V (Sporlan)	N30020039	131066072	2	2	2	2
5	1	Capacity Control Solenoid Valve Coil 230V (Sporlan)	N30020045	131066071	2	2	2	2
5	1	Capacity Control Solenoid Valve Coil 24V (Sporlan) (usa only)	N30020046	95823-419	2	2	2	2
Filters								
6	1	Oil Filter (also require item 19 or 22)	N02370008	95816-401	1	1	1	1
7	1	Suction Filter (also require item 18 or 22)	N12010011	87211-301	1	1	1	1

HS3100 Spare Parts List Semi-Hermetic Compressor

Quantity for Each Compressor

Item	Diagram	Description	Part Number	Old P/No	Quantity for Each Compressor			
					3118	3120	3121	3122
		Heaters 115v						
8	1	Oil Heater 115V 250W (not for usa)	N19070002	95813-217	1	1	1	1
		Heaters 230v						
8	1	Oil Heater 230V 250W (not for usa)	N19070003	95813-218	1	1	1	1
		Heater Pockets						
9	1	Oil Heater Pocket	N13390001	131506010	1	1	1	1
		Capacity Control Slides						
10	1	Capacity Control Slide Kit 2.0VR (also require items 16 & 22)	N02860110	95823-101	1	1	1	1
10	1	Capacity Control Slide Kit 3.0VR (also require items 16 & 22)	N02860111	95823-102	1			
10	1	Capacity Control Slide Kit 3.0VR (also require items 16 & 22)	N02860112	95823-201		1	1	1
10	1	Capacity Control Slide Kit 4.9VR (also require items 16 & 22)	N02860113	95823-106	1			
10	1	Capacity Control Slide Kit 4.9VR (also require items 16 & 22)	N02860114	95823-202		1		
10	1	Capacity Control Slide Kit 4.9VR (also require items 16 & 22)	N02860115	95823-301			1	
10	1	Capacity Control Slide Kit 4.9VR (also require items 16 & 22)	N02860116	95823-401				1
		Motor Terminals						
11	1	Terminal Plate Kit (Europe/Asia) (also require item 18 or 22)	N02470010	95812-423	1	1	1	1
11	1	Terminal Plate Kit (USA) (also require item 18 or 22)	N02470011	95812-142	1	1	1	1
12	1	Motor Terminal Plastic Cap	N13060020	131083020	As Req	As Req	As Req	As Req

**HS3100 Spare Parts List
Semi-Hermetic Compressor**

Quantity for Each Compressor

Item	Diagram	Description	Part Number	Old P/No	3118	3120	3121	3122
		Valves						
13	1	Discharge Check Valve 3-in-1 (Optional) (also require item 20 or 22)	N30150074	95814-210	1	1	1	1
N/S	N/S	Suction Shut-Off Valve (optional)	N30150072	93256-826	1	1	1	1
		Sight Glasses						
14	1	Oil Separator 1/2" Sight Glass	N27070002	95816-106	1	1	1	1
		Sensors						
N/S	N/S	Oil Level Sensor	N05110010	95814-602	1	1	1	1

HS3100 Spare Parts List Semi-Hermetic Compressor

Quantity for Each Compressor

Item	Diagram	Description	Part Number	Old P/No	Quantity for Each Compressor			
					3118	3120	3121	3122
		Stators R134a						
15	1	Stator 400V 50Hz 43kW / 460V 60Hz 52kW (also require item 18 or 22)	N02330016	95813-501	1	1		
15	1	Stator 400V 50Hz 60kW / 460V 60Hz 72kW (also require item 18 or 22)	N02330017	95813-502			1	1
15	1	Stator 575V 60Hz 52kW (also require item 18 or 22)	N02330019	95813-504	1	1		
15	1	Stator 575V 60Hz 72kW (also require item 18 or 22)	N02330020	95813-505			1	1
15	1	Stator 380V 60Hz 52kW (also require item 18 or 22)	N02330022	95813-507	1	1		
15	1	Stator 380V 60Hz 72kW (also require item 18 or 22)	N02330023	95813-508			1	1
15	1	Stator 230V 60Hz 52kW (also require item 18 or 22)	N02330025	95813-510	1	1		
15	1	Stator 230V 60Hz 72kW (also require item 18 or 22)	N02330026	95813-511			1	1
15	1	Stator 208V 60Hz 52kW (also require item 18 or 22)	N02330028	95813-513	1	1		
15	1	Stator 208V 60Hz 72kW (also require item 18 or 22)	N02330029	95813-514			1	1
		Stators R22/R407c/R410A						
15	1	Stator 400V 50Hz 60kW / 460V 60Hz 72kW (also require item 18 or 22)	N02330017	95813-502	1	1		
15	1	Stator 400V 50 82kW / 460V 60Hz 98kW (also require item 18 or 22)	N02330018	95813-503			1	1
15	1	Stator 575V 60Hz 72kW (also require item 18 or 22)	N02330020	95813-505	1	1		
15	1	Stator 575V 60Hz 98kW (also require item 18 or 22)	N02330021	95813-506			1	1
15	1	Stator 380V 60Hz 72kW (also require item 18 or 22)	N02330023	95813-508	1	1		
15	1	Stator 380V 60Hz 98kW (also require item 18 or 22)	N02330024	95813-509			1	1
15	1	Stator 230V 60Hz 72kW (also require item 18 or 22)	N02330026	95813-511	1	1		
15	1	Stator 230V 60Hz 98kW (also require item 18 or 22)	N02330027	95813-512			1	1
15	1	Stator 208V 60Hz 72kW (also require item 18 or 22)	N02330029	95813-514	1	1		
15	1	Stator 208V 60Hz 98kW (also require item 18 or 22)	N02330030	95813-515			1	1

HS3100 Spare Parts List Semi-Hermetic Compressor

Quantity for Each Compressor

Item	Diagram	Description	Part Number	Old P/No	3118	3120	3121	3122
		Piston Rings						
16	1	Piston Ring (Glyd Ring) & Gasket Set	N02630040	95813-108	1	1	1	1
		Shims						
17	1	Shim Set	N02260014	92847-301	1	1	1	1
		Gasket Sets						
18	1	Motor Replacement Gasket & O-Ring Set	N33010065	95822-315	1	1	1	1
19	1	Oil Filter Replacement Gasket & O-Ring Set	N33010027	128810988	1	1	1	1
20	1	Discharge Check Valve Replacement Gasket & O-Ring Set	N33010066	95822-316	1	1	1	1
21	1	Economiser / Liquid Injection Gasket Set	N33010067	95822-317	1	1	1	1
22	1	Full Gasket & O-Ring Set	N33010068	128810982	1	1	1	1
		Oils						
N/S	N/S	J & E Hall Ester Oil	TBA	TBA	12L	12L	12L	12L
N/S	N/S	J & E Hall Mineral Oil	TBA	TBA	12L	12L	12L	12L

Replacement Parts List

HS3100 – Issue 4 (H)

Date: July 2006

Replaces: HS3100 – Issue 3 (H)

Halltherm

Hansard Gate, West Meadows
Derby, DE21 6JN

Tel: 01332 253400 Fax: 01332 371061

Email: Halltherm@jehall.co.uk

Web: www.jehall.com

The compressor design and construction is subject to change without prior notice